

# ADC AD-120

## 120-lb Capacity OPL Dryer

### Standard Features:

- 120-lb. capacity
- 38.10 cu. ft. basket volume
- 375,000 Btu/hr heat input, 2,150 cfm airflow
- Radial airflow
- Self-diagnostic microprocessor with patented auto drying feature
- Steel door with gasketless glass
- Reversing basket is standard
- Available in gas, steam and electric heat

### Optional Features:

- Stainless steel front, cabinet & basket
- S.A.F.E. (Sensor Activated Fire Extinguishing System)



AD-120 OPL Dryer

## Why Purchase ADC AD-120?

### Engineer-Driven Design That is Built to Last

Our dryers showcase ADC's engineer-driven approach to design. Bearings are permanently lubricated on the motor and drive system. There are no chains used at ADC; rather, we use V-belts and pulleys for smooth, quiet, and trouble-free operation. Our dryer cabinets are electrostatically powder-painted inside and out, then baked at 420-degrees fahrenheit before final assembly—ensuring the hardest surface and the longest-lasting finish in the industry.

### Rugged Steel Door with Gasketless Door Glass

Our dryer doors are one solid piece of steel with gasketless glass. This eliminates the issue of glass falling out due to wear and tear on rubber gaskets that some manufacturers use to secure their glass. The security and durability that gasketless glass provides is essential to a successful laundromat operation.

### Easy-to-Read, Multilingual Controls

We were the first to bring computer-operated dryers to the market and today we continue to be a leader in applying technology to dryer operation. Our years of experience along with our accessible design, easy-to-read LED screens and our user-friendly multilingual interface positions ADC as the pioneer in the laundry industry.

Your local ADC independent authorized distributor



# ADC AD-120

## AD-120 Specifications

Tumbler Capacity (Dry Weight)	120 lbs. (54.43 kg)		
Tumbler Diameter	44-5/8" (113.35 cm)		
Tumbler Depth	42-1/8" (107 cm)		
Tumbler Volume	38.10 cu ft (1,078.87 L)		
Tumbler/Drive Motor	3/4 hp (0.56 kW)		
Blower/Fan Motor	3 hp (2.24 kW)		
Door Opening (Diameter)	31-3/8" (79.69 cm)		
Door Sill Height	25-7/8" (65.72 cm)		
S.A.F.E. Water Connection	North America 3/4" F.N.P.T. (11.5 N.H.) Outside North America 3/4" B.S.P.T.		
Dryers per 20'/40' Container	3 / 7		
Dryers per 48'/53' Truck	9 / 10		
Width	48-5/8" (123.5 cm)		
Depth	63-1/2" (161.3 cm)		
<b>Gas</b>	Voltage Available	208-575V 3ø 3,4w 50/60 Hz	
	Approximate Net Weight	1,440 lb (653.17 kg)	
	Approximate Shipping Weight	1,500 lb (680.4 kg)	
	Airflow	60 Hz 2,150 cfm (60.88 cmm) 50 Hz 1,791 cfm (50.71 cmm)	
	Heat Input	375,000 Btu/hr (94,498 kcal/hr)	
	Exhaust Connection (Diameter)	14" (35.56 cm)	
	Compressed Air Connection	N / A	
	Compressed Air Volume	N / A	
Inlet Pipe Connection	1" F.N.P.T.		
	1" F.B.S.P.T. (CE and Australia Only)		
<b>Electric</b>	Voltage Available	208-575V 3ø 3,4w 50/60 Hz	
	Approximate Net Weight	1,500 lb (680.4 kg)	
	Approximate Shipping Weight	1,555 lb (705.3 kg)	
	Airflow	60 Hz 2,150 cfm (60.88 cmm) 50 Hz 1,791 cfm (50.71 cmm)	
	Exhaust Connection (Diameter)	14" (35.56 cm)	
	Compressed Air Connection	N / A	
	Compressed Air Volume	N / A	
	Oven Size		
	kW	Btu/hr	kcal/hr
	72	245,700	61,900
75.6	258,000	65,000	
<b>Steam</b>	Voltage Available	208-575V 3ø 3,4w 50/60 Hz	
	Approximate Net Weight	1,421 lb (644.55 kg)	
	Approximate Shipping Weight	1,561 lb (708.06 kg)	
	Airflow	60 Hz 2,150 cfm (60.88 cmm) 50 Hz 1,791 cfm (50.71 cmm)	
	Steam Consumption	365 lb/hr (166 kg/hr)	
	Operating Steam Pressure	125 psi max (8.62 bar, 862 kPa)	
	Exhaust Connection (Diameter)	14" (35.56 cm)	
	Compressed Air Connection**	1/8" N.P.T.	
	Compressed Air Volume **	0.75 cfm (0.02 cmh)	
	Boiler HP (Normal Load)	13 Bhp	
Standard Supply Connections †	(2) 1-1/4" M.N.P.T.		
Standard Return Connections †	(2) 1" M.N.P.T.		

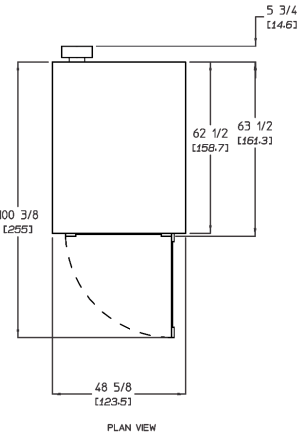
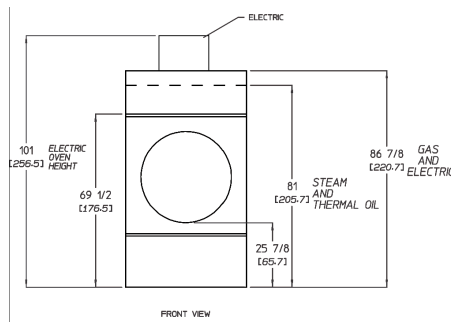
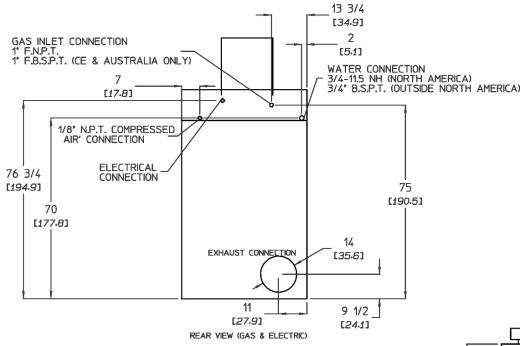
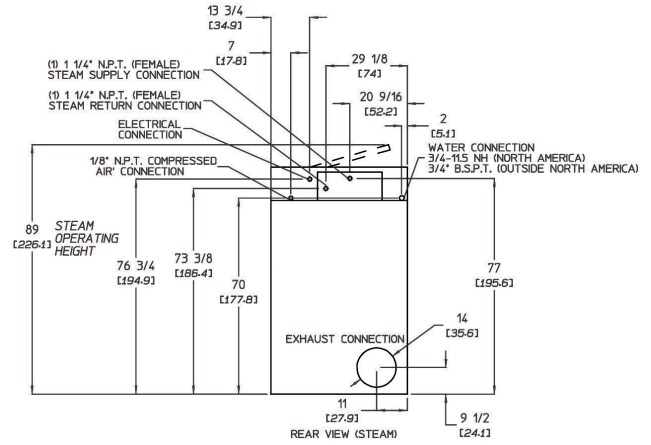
Specifications in parentheses are metric equivalents.

11/5/13

\* Air-operated steam damper system must be provided with clean, dry and regulated 80 psi ±10 psi (5.51 bar ±0.68 bar) air supply.

\*\* Compressed air is not required with optional steam solenoid valve.

† Optional Steam Coil Connection Differ. Refer to Installation Manual.



### Electrical Service Specifications

SERVICE VOLTAGE	PHASE	WIRE SERVICE	APPROX AMP DRAW		CIRCUIT BREAKER
			60 Hz	50 Hz	
<b>GAS &amp; STEAM (reversing)</b>					
208	3ø	3	15	--	20
220	3ø	3	14	--	20
230	3ø	3	--	18	25
240	3ø	3	15	18	20
380	3ø	4*	9	9	15
400	3ø	4*	--	9	15
416	3ø	4*	--	10	15
440	3ø	3	9	8.7	15
460	3ø	3	8	--	15
480	3ø	3	8	--	15
575	3ø	3	7	--	15

### Electrical Service Specifications

SERVICE VOLTAGE	PHASE	WIRE SERVICE	APPROX AMP DRAW		CIRCUIT BREAKER
			60 Hz	50 Hz	
<b>72 kW Electric</b>					
208	3ø	3	215	--	300
230	3ø	3	--	184	250
240	3ø	3	188	--	250
380	3ø	4*	--	119	150
400	3ø	4*	--	104	150
416	3ø	4*	--	109	150
460	3ø	3	91	--	125
480	3ø	3	95	--	125
575	3ø	3	79	--	100
<b>75.6 kW Electric</b>					
220	3ø	3	214	--	300
440	3ø	3	108	--	150
<b>60.5 (Nominal) kW Electric</b>					
220	3ø	3	173	--	225
240	3ø	3	--	--	125
380	3ø	3	101	101	150



QY160013 1/17

88 Currant Road, Fall River, MA 02720-4781 • 508.678.9000

www.adclaundry.com