

CROSSOVER[®]

by Wascomat

In a class by itself – *The world's first small chassis washer engineered to commercial laundry standards for your business needs.*



PROFESSIONAL SPECIFICATIONS

Serving the Multi-housing and Coin Laundry markets, Crossover Series Washers meet business demands with durability, energy savings and customer satisfaction.

FEATURES AND BENEFITS

- ✓ Engineered to be superior to all competitors
- ✓ 15,000+ cycle machine life design
- ✓ Large high security coin vault
- ✓ Energy Star Rated
- ✓ 4 professional wash programs, + 2 cycle options
- ✓ Field adjustable water levels + cycle
- ✓ Top quality SKF bearings in heavy duty assembly
- ✓ 3 seals (with 5 lips) protect bearings
- ✓ AC motor (no brushes)
- ✓ Professional 8-point suspension
- ✓ Pump drain standard
- ✓ Solid steel counterweights—no concrete

BEST CUSTOMER EXPERIENCE

- ✓ Extra big load wash basket—22+ pound capacity
- ✓ Superior oversuds and unbalance tolerance
- ✓ Extra large door opening
- ✓ Heavy-duty door hinge
- ✓ High speed 300G maximum extraction
- ✓ Simple, easy to use operation

MARKET READY DESIGN

- ✓ Coin and card payment compatibility
- ✓ 3 compartment soap drawer
- ✓ 27" width for easy plug-in top-loader replacement
- ✓ Soft-mount technology for easy installation on any floor
- ✓ Meets ADA regulations

MODEL NOS:

Model No. WHWF09810M (coin)

Model No. WHWF09810DC (card)

NOTE: Money boxes are sold separately

CROSSOVER

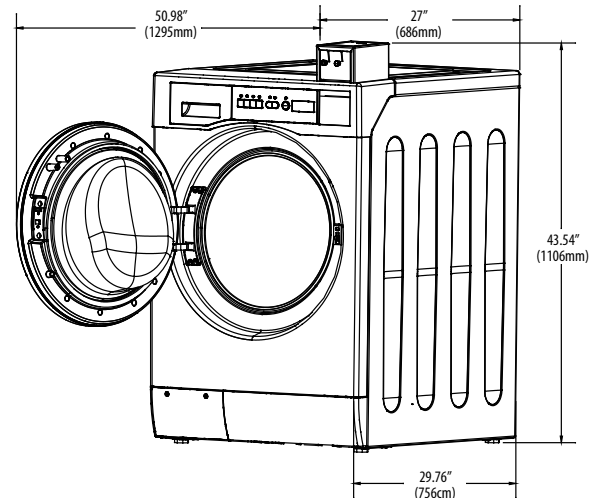
866.580.1010 ✓ www.crossoverlaundry.com



CROSSOVER WASHER

CROSSOVER WASHER SPECIFICATIONS

Model No.	Metered/Coin WHWF09810M
Model No.	Card Ready WHWF09810DC
Motor	Variable-speed, reversible, thermoprotected, high-efficiency, controlled induction
Electrical Rating	120 V/60 Hz / 1-phase
Breaker Requirements	15A
Cylinder Volume	3 1/2 cu ft (98 liters)
Cylinder Diameter	21 5/8 in (550 mm)
Cylinder Depth	18 1/4 in (464 mm)
Wash Capacity	22 lbs (10 kg)
Door Opening	15 in (380 mm)
Wash Speed	45 RPM
Maximum RPM*	1,000 RPM
Maximum G-force*	300 G
Inlet Hose	2 3/8 in (hoses included)
Water Pressure	10-90 psi (70-600 kPa)
Drain Hose	1 in (25.4 mm)
Crated Weight	314 lbs (142.7 kg)
Uncrated Weight	299 lbs (136 kg)
Overall Dimensions	W D H: 27 x 33 3/4 x 39 3/4 in w/o meter box W D H: 27 x 33 3/4 x 43 1/2 in w/meter box (W D H: 686 x 857 x 1010 mm w/o meter box) (W D H: 686 x 857 x 1106 mm w/meter box)



Refer installation and servicing to qualified, licensed personnel. Always read Installation and Operating Manuals and consult local codes before installation. Protect machines with properly rated circuit breakers ONLY. Warranty void if not properly installed. Specifications subject to change without notice. Laundrylux assumes no responsibility for errors or omissions in this information.

Laundrylux offers a complete line of Electrolux Professional and Wascomat Commercial Laundry equipment.

CROSSOVER

866.580.1010 ✓ www.crossoverlaundry.com

CROSSOVER • 461 Doughty Blvd., Inwood, NY 11096
Sales and Administration Tel: 516-371-4400 • Fax: 516-371-4204 • sales@laundrylux.com
Spare Parts Tel: 516-371-2000 • Fax: 516-371-4029 • parts@laundrylux.com
Technical Support – Tel: 516-371-0700 • Fax: 516-371-4029 • service@laundrylux.com
En Mexico: Llame gratis a este numero 001-800-010-1010